

East



East

A timeless sofa that combines elegance with comfort, featuring intricate stitching details and cast aluminium legs. Available as a one, two, or three-seater and chaise with a choice of leg finishes, it's perfect for breakout areas and receptions.



Upholstery options



British Design



British Made



East

Finishes

VIEW ALL UPHOLSTERY OPTIONS



Wide range
of upholstery



East

CAD

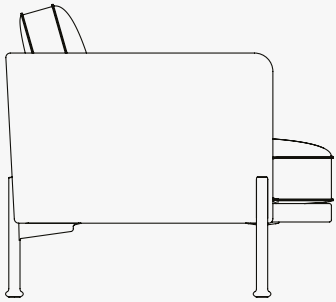
Click to download



East

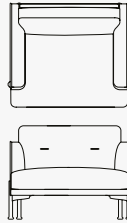
DIMENSIONS (IN MM)

SEAT HEIGHT 400
OVERALL HEIGHT 725



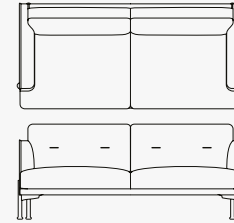
ARMCHAIR

WIDTH 950
DEPTH 800



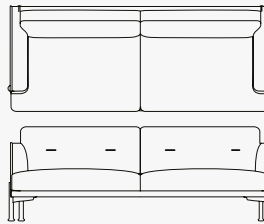
2 SEATER

WIDTH 1700
DEPTH 800



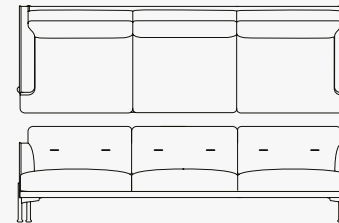
2.5 SEATER

WIDTH 2000
DEPTH 800



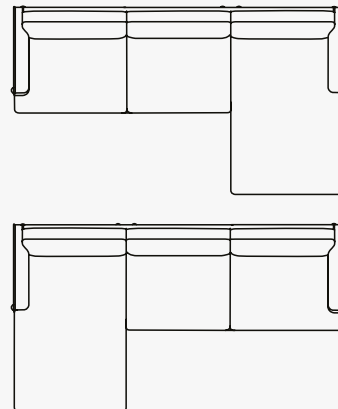
3 SEATER

WIDTH 2500
DEPTH 800



3 SEAT CHAISE
LEFT/RIGHT

WIDTH 2500
DEPTH 1450



5 SEAT CORNER

WIDTH 2450
DEPTH 2450

