

# VENUE TABLES



Venue   
Tables®

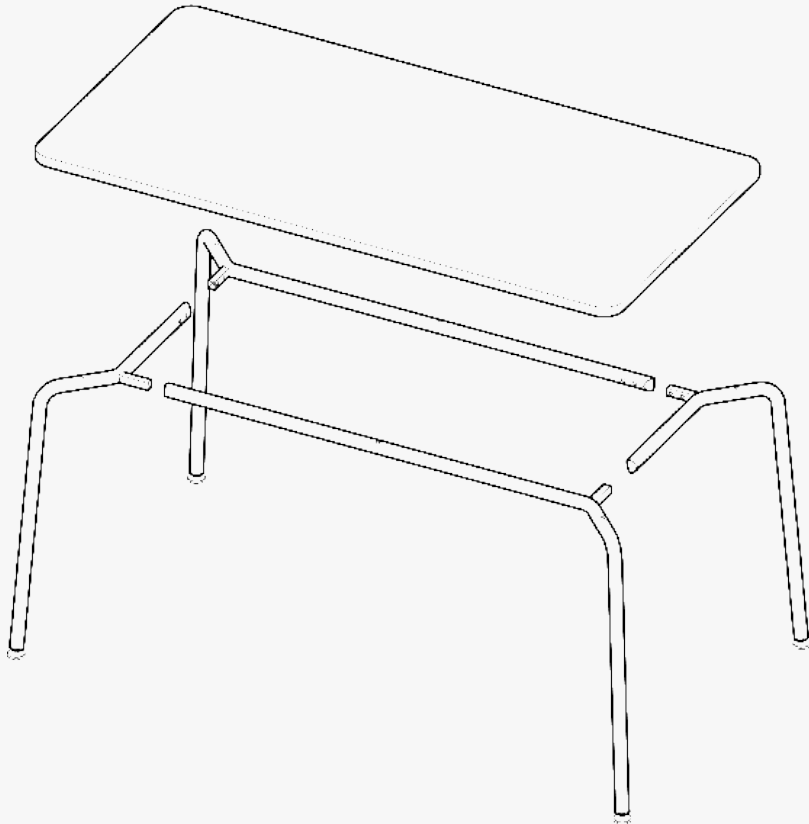
NEW DESIGN | GROUP 



Venue Tables are deliberately simple to ensure they are efficient to make, reliable to use and have an enduring style. They are ideally suited to any educational, corporate or hospitality setting. The unique and minimal frame design eliminates complex assemblies and limits Venue's carbon footprint.

# UNIVERSAL FRAME COMPONENTS

---



Using the same modular frame construction, Venue is available in two heights - seated at 740mm and standing at 1050mm.

Both heights offer the same level of flexibility from a small inventory of parts.

By using the same modules, the table tops fit both heights of frame.



# 2 HEIGHTS

---



Standard Height



Poseur Height



# 4 TOP SHAPES

---



Round



Compound



Square



Rectangle



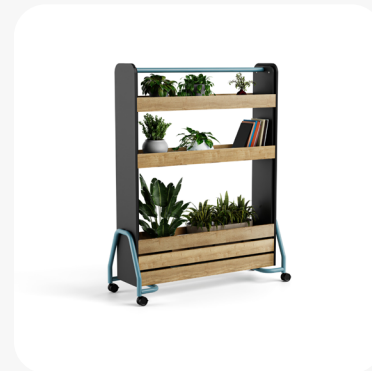
# FAMILY OF PRODUCTS

---



Training tables

Venue tables



Venue Mobile

# VENUE TABLE FINISHES

## MELAMINES

WHITE K101	LIGHT GREY EGGER U708	GRAPHITE EGGER U961	BLACK EGGER U999
OAK D1929	HALIFAX OAK H1180 ST37	TOBACCO WALNUT EGGER H3704	

## METAL FINISHES

1. RED RAL 2002	2. YELLOW RAL D2 085 80 80	3. GREEN RAL D2 085 50 50	4. KHAKI RAL 7006
5. BLUE RAL D2 220 60 15	6. OYSTER WHITE RAL 1013	7. BLACK RAL9011	8. WHITE RAL 9016



# Dimensions

DIMENSIONS (IN MM)



Ø1000  
Ø1200  
Ø1500



750 X 750  
1000 X 1000  
1500 X 1500



1500 X 750



1000 X 1000  
1200 x 1200  
1800 x 1800  
1800 X 900  
1800 x 1200

POSEUR HEIGHT - H 1050



Ø1000  
Ø1200



1000 X 1000  
1200 X 1200



1500 X 750



1800 X 900  
1800 X 1200

# CAD

Click to download

